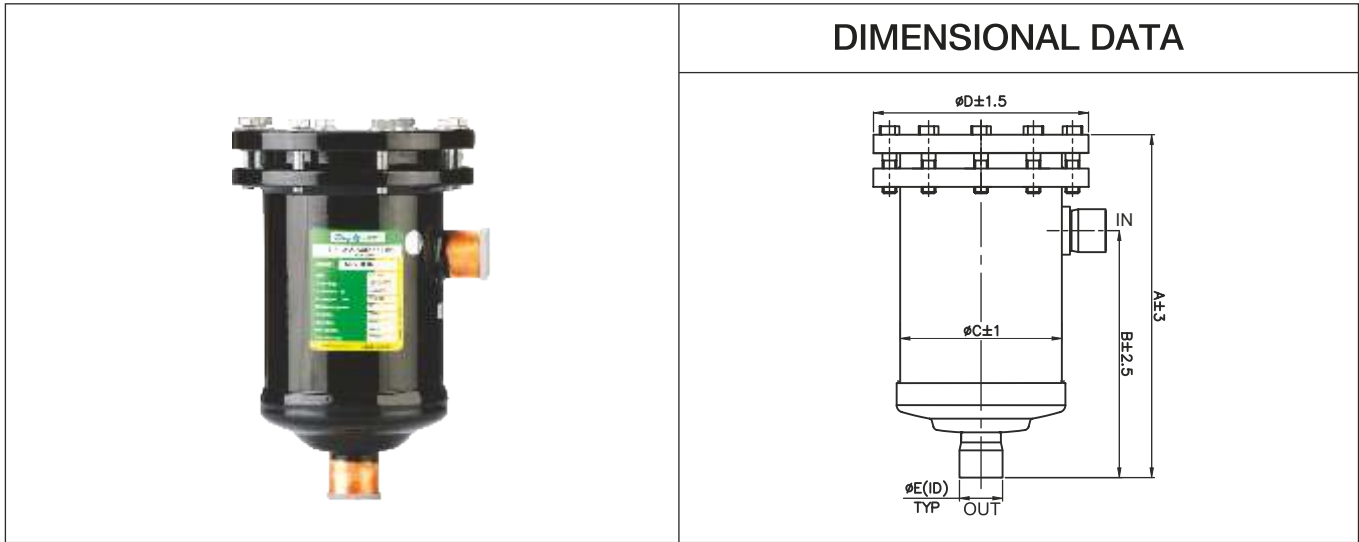


# REPLACEABLE CORE SHELL

IMAGE, DRAWING & MODELS AVAILABLE



Sr. No.	Model No.	Connection Type	A		B		$\phi C$		D		Qty for Cores	Liquid Flow Capacity for R-22 in Tons @1 psi
			(mm)	(inch)	(mm)	(inch)	(mm)	(inch)	(mm)	(inch)		
1	DRC - 485S	5/8"	235	9.25	158	6.22	114	4.49	152	5.98	1	21
2	DRC - 487S	7/8"	240	9.45	163	6.42	114	4.49	152	5.98	1	38
3	DRC - 489S	1-1/8"	242	9.53	165	6.50	114	4.49	152	5.98	1	53
4	DRC - 4811S	1-3/8"	242	9.53	165	6.50	114	4.49	152	5.98	1	61
5	DRC - 4813S	1-5/8"	242	9.53	165	6.50	114	4.49	152	5.98	1	85
6	DRC - 4817S	2-1/8"	250	9.84	163	6.42	114	4.49	152	5.98	1	120
7	DRC - 965S	5/8"	385	15.16	303	11.93	114	4.49	152	5.98	2	22
8	DRC - 967S	7/8"	387	15.24	308	12.13	114	4.49	152	5.98	2	41
9	DRC - 969S	1-1/8"	387	15.24	310	12.20	114	4.49	152	5.98	2	63
10	DRC - 9611S	1-3/8"	387	15.24	310	12.20	114	4.49	152	5.98	2	79
11	DRC - 9613S	1-5/8"	387	15.24	310	12.20	114	4.49	152	5.98	2	85
12	DRC - 9617S	2-1/8"	395	15.55	308	12.13	114	4.49	152	5.98	2	120
13	DRC - 9621S*	2-5/8"	406.5	16.00	303.5	11.95	114	4.49	152	5.98	2	97
14	DRC - 9624S	3"	403	15.87	300	11.81	114	4.49	152	5.98	2	68
15	DRC - 1449S	1-1/8"	529	20.83	452	17.80	114	4.49	152	5.98	3	51
16	DRC - 14411S	1-3/8"	529	20.83	452	17.80	114	4.49	152	5.98	3	88
17	DRC - 14413S	1-5/8"	529	20.83	452	17.80	114	4.49	152	5.98	3	97
18	DRC - 14417S	2-1/8"	537	21.14	450	17.72	114	4.49	152	5.98	3	112
19	DRC - 19211S	1-3/8"	679	26.73	602	23.70	114	4.49	152	5.98	4	94
20	DRC - 19213S	1-5/8"	679	26.73	602	23.70	114	4.49	152	5.98	4	103
21	DRC - 19217S	2-1/8"	687	27.05	600	23.62	114	4.49	152	5.98	4	115
22	DRC - 19221S*	2-5/8"	692.5	27.26	589.5	23.21	114	4.49	152	5.98	4	112
23	DRC - 19224S*	3"	689	27.13	586	23.07	114	4.49	152	5.98	4	117

- 1) Maximum Working Pressure - 45 bar ( 653 psig)
- 2) Temperature Range : -40°C to +70°C
- 3) \*Mark Connection Steel & Nickel Plated
- 4) 1/4" NPT Connection is Available in Dry All Core Shell

